

Suggested Installation for Mantel Surrounds using the included Hanger Board system

The hanger board is only a suggested method; your installer may have additional methods for mounting your mantel shelf. Always consult a professional.

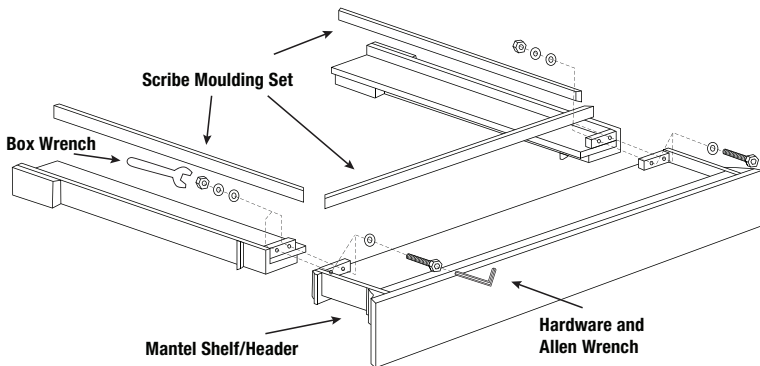
THANK YOU FOR PURCHASING A PEARL MANTELS™ SURROUND!

Look for the Pearl Inlay on the right-hand corner of your new mantel surround. This is your guarantee of an authentic Pearl Mantels™ product!

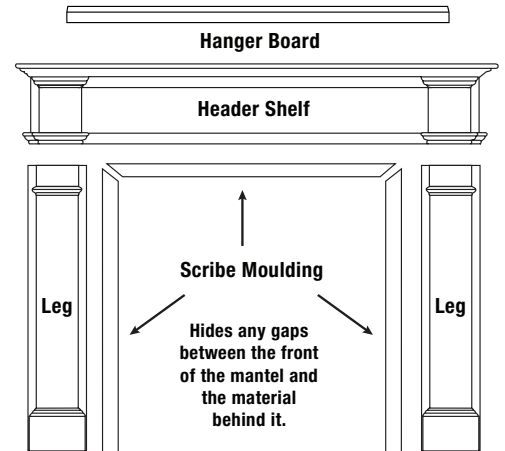
WARNING! HEAT CLEARANCES MUST BE ADHERED TO FOR INSTALLATION OF THIS PRODUCT; ADHERE TO YOUR LOCAL BUILDING HEAT CLEARANCE CODES AND HEAT CLEARANCES AS STATED BY THE MANUFACTURER OF YOUR SPECIFIC FIREBOX OR STOVE MODEL. FAILURE TO DO SO WILL VOID THE PRODUCT WARRANTY. ALWAYS CONSULT A PROFESSIONAL.

Included in your carton: Mantel Shelf/Header, Mantel Legs, Hardware to attach Legs to Shelf/Header, Detached Mitered Hanger Board (Hardware to install detached hanger board not included), 3 Piece Scribe Moulding Set, Instruction Sheet, Certificate of Authenticity. Included hardware will be wrapped in red tape.

Not included: Mounting hardware for detached hanger board. There are many different mounting surfaces, i.e. brick, stone, drywall... and each requires a different hardware for secure attachment. Also not included is hardware to attach the scribe mouldings. **Always consult a professional.**



Nuts, bolts, washers, Allen wrench and box wrench included to attach header shelf to legs



Assembly: Place Header Shelf upside-down on floor. One at a time, line up the holes on the leg with the holes on the header and using the assembly hardware included, bolt each leg to the header. Make sure legs are straight, then tighten bolts to secure the legs. Leave on the floor until measuring is completed.

Wood and MDF (Medium Density Fiberboard) are combustibile materials. Heat clearances must be adhered to. Before installing, adhere to your local building codes and manufacturer's requirements for your specific firebox or stove.

Do not proceed without full understanding of the firebox's wood clearance requirements and local building codes. Wood and MDF are combustibile and required clearances must be adhered to or damage will occur to your mantel.

Measuring/Mounting

Always check Building Codes and Heat Clearances; Wood and MDF are Combustibile. Always attach hanger board to studs. Always consult a professional.

The Hanger Board system consists of 2 mitered hanger boards, one is attached to the back of the surround and the other is packed separately in the carton and will attach to your mounting surface. When married together, the mantel surround will be locked in place on the wall.

* Mounting hardware for detached hanger board is **NOT INCLUDED**.

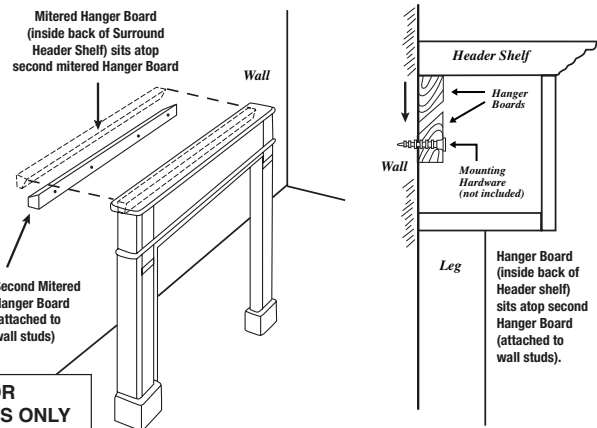
We suggest that pilot holes be drilled into the hanger board prior to inserting the appropriate hardware for final installation on the wall. **Always attach to studs.**

Measuring: With the header shelf still on the floor, insert the detached hanger board as it would hang on the wall and take the measurement from the bottom of the leg to the bottom of the hanger board (see Figure A). Do this for each leg and transfer these measurements to your mounting surface, measuring from your floor or hearth, wherever the legs will sit. Make sure your hanger board is centered (see Figure B). When mounted correctly, the mantel will simply hang on the hanger board with the legs touching the floor or hearth. Once mounted, if the mantel or shelf doesn't seem to fit snugly to the wall, you may put a small shim of paper, cardboard, etc., to fill the gap where the 2 halves of the hanger board meet. **Ensure that all heat clearances have been adhered to.**

Centering: Find center point over firebox by measuring from one side to the other, mark the center point on mounting surface, do the same for the hanger board. (See Figure B.)

Unfinished Wood Mantel Shelf: Always consult a professional before applying paint or stain.

Pearl Inlay: If you have purchased an unfinished piece, your Pearl Inlay is masked with red tape so that you may paint or stain over it. After you have completed the paint/stain process, remove the mask.



DRAWINGS ARE FOR ILLUSTRATIVE PURPOSES ONLY

Figure A.

Marry Hanger Boards (1) & (2) together, then measure from the bottom of the Leg to the bottom of Hanger Board (1)

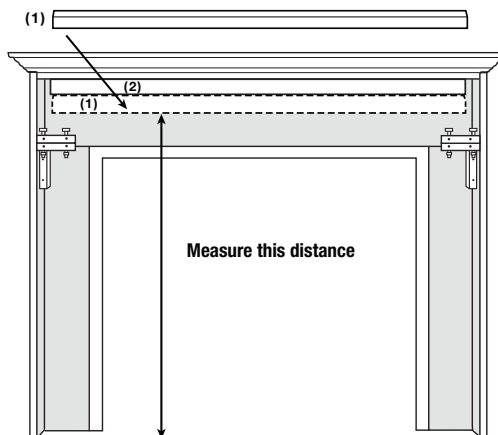
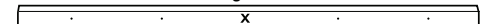
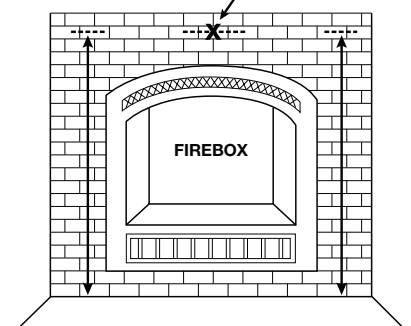


Figure B.

Measure and mark center of Hanger Board



Mark Measurements on Mounting Surface including Center Point



WARNING! HEAT CLEARANCES MUST BE ADHERED TO ALWAYS CONSULT A PROFESSIONAL FOR INSTALLATION OF THIS PRODUCT; ADHERE TO YOUR LOCAL BUILDING HEAT CLEARANCE CODES AND HEAT CLEARANCES AS STATED BY THE MANUFACTURER OF YOUR SPECIFIC FIREBOX OR STOVE MODEL. FAILURE TO DO SO WILL VOID THE PRODUCT WARRANTY.